



SET-PT1000

SET-30

Setpoint devices

For panel mounting. For use with Corrigo, CMF and CTR series.

Technical data

Range

SET-PT1000 5...30 °C, SET-30 0...30 °C

Protection class

IP20

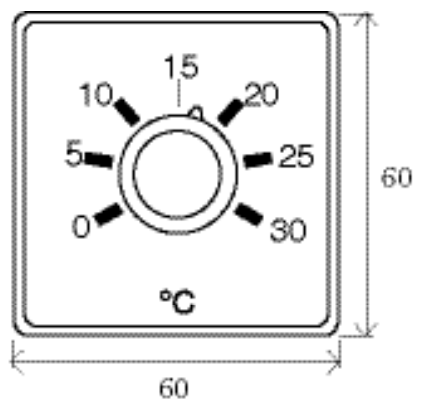
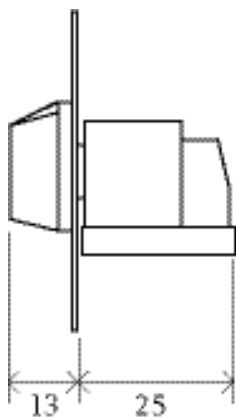
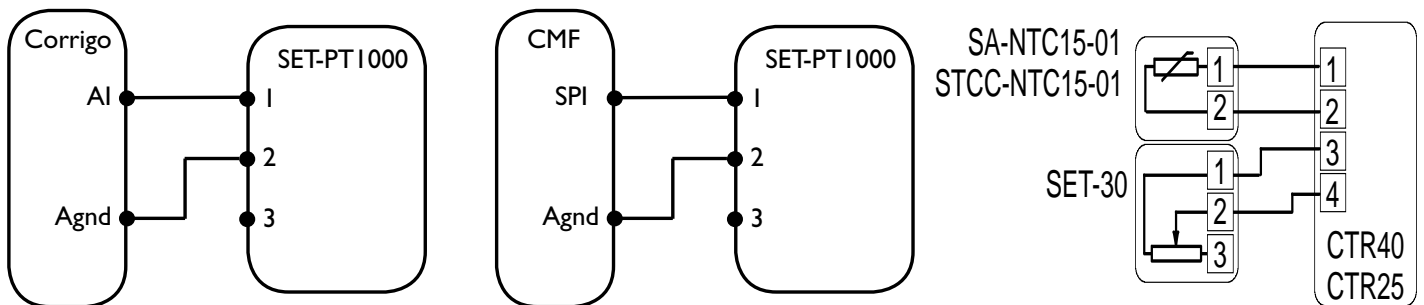


Low Voltage Directive (LVD) standards: This product conforms to the requirements of the European Low Voltage Directive (LVD) 2006/95/EC through product standards EN 60669-1 and EN 60669-2-1.

EMC emissions & immunity standards: This product conforms to the requirements of the EMC Directive 2004/108/EC through product standards EN 60669-1 and EN 60669-2-1.

RoHS: This product conforms with the Directive 2011/65/EU of the European Parliament and of the Council.

Wiring and dimensions



(mm)

AB Industrietechnik Srl

Via Julius Durst, 70 - 39042 Bressanone (BZ) - Italy
Tel. +39 0472/830626 - Fax +39 0472/831840
www.industrietechnik.it - info@industrietechnik.it